

LCC Modelling System

Medium signal box interior kit

This kit includes elements which can be used to assemble medium signal box interior kit.

All drawings are not in scale.

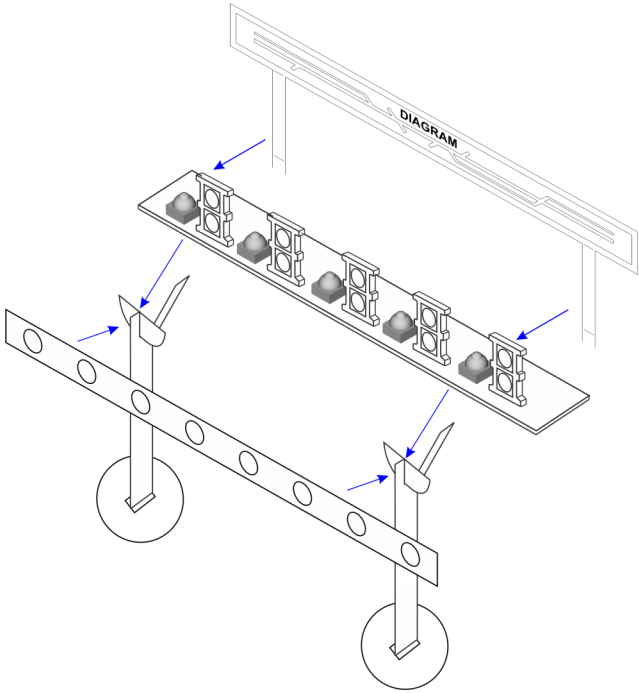
LCC Modelling System is flexible and you can make easy modification. Please visit our website at www.lcut.co.uk to shop for additional LCC elements.

! We recommend resin based glue for plastic parts and PVA or wood glue for fibre board parts.

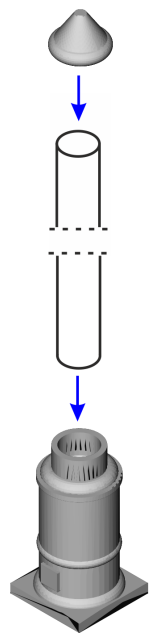
Kit contains:

- Block instrument shelf kit
- Lever frame with five extensions
- Six sets of levers
- Five instrument bells
- Five Instrument indicators
- Stove with chimney pipe and cap
- Coal box
- Desk
- Arm chair
- Wall clock
- Token instrument
- Level crossing gate wheel

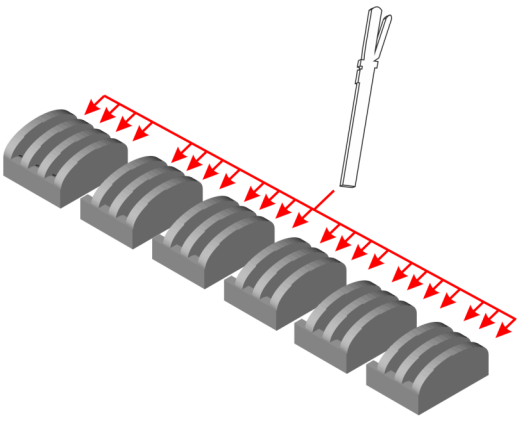
SHELF WITH INSTRUMENTS



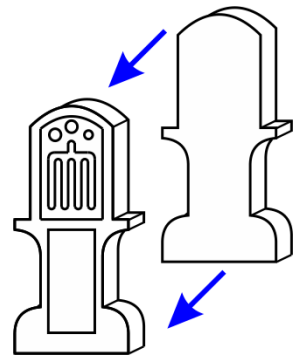
STOVE



LEVERS



TOKEN INSTRUMENT



LEVEL CROSSING WHEEL

